

# PK108A/PK110A

Active 240-Watt 8"/320-Watt 10" PA Speaker System with Built-in Media Player, Bluetooth® Receiver and Integrated Mixer

EN

## EN Important Safety Instructions

ES



Terminals marked with this symbol carry electrical current of sufficient magnitude to constitute risk of electric shock. Use only high-quality professional speaker cables with 1/2" TS or twist-locking plugs pre-installed. All other installation or modification should be performed only by qualified personnel.



This symbol, wherever it appears, alerts you to the presence of uninsulated dangerous voltage inside the enclosure - voltage that may be sufficient to constitute a risk of shock.



This symbol, wherever it appears, alerts you to important operating and maintenance instructions in the accompanying literature. Please read the manual.



**Caution**  
To reduce the risk of electric shock, do not remove the top cover (or the rear section). No user serviceable parts inside. Refer servicing to qualified personnel.



**Caution**  
To reduce the risk of fire or electric shock, do not expose this appliance to rain and moisture. The apparatus shall not be exposed to dripping or splashing liquids and no objects filled with liquids, such as vases, shall be placed on the apparatus.



**Caution**  
These service instructions are for use by qualified service personnel only. To reduce the risk of electric shock do not perform any servicing other than that contained in the operation instructions. Repairs have to be performed by qualified service personnel.

1. Read these instructions.
2. Keep these instructions.
3. Heed all warnings.
4. Follow all instructions.
5. Do not use this apparatus near water.
6. Clean only with dry cloth.
7. Do not block any ventilation openings. Install in accordance with the manufacturer's instructions.
8. Do not install near any heat sources such as radiators, heat registers, stoves, or other apparatus (including amplifiers) that produce heat.
9. Do not defeat the safety purpose of the polarized or grounding-type plug. A polarized plug has two blades with one wider than the other. A grounding-type plug

has two blades and a third grounding prong. The wide blade or the third prong are provided for your safety. If the provided plug does not fit into your outlet, consult an electrician for replacement of the obsolete outlet.

**10.** Protect the power cord from being walked on or pinched particularly at plugs, convenience receptacles, and the point where they exit from the apparatus.

**11.** Use only attachments/accessories specified by the manufacturer.



injury from tip-over.

**13.** Unplug this apparatus during lightning storms or when unused for long periods of time.

**14.** Refer all servicing to qualified service personnel. Servicing is required when the apparatus has been damaged in any way, such as power supply cord or plug is damaged, liquid has been spilled or objects have fallen into the apparatus, the apparatus has been exposed to rain or moisture, does not operate normally, or has been dropped.

**15.** The apparatus shall be connected to a MAINS socket outlet with a protective earthing connection.

**16.** Where the MAINS plug or an appliance coupler is used as the disconnect device, the disconnect device shall remain readily operable.



**17.** Correct disposal of this product: This symbol indicates that this product must not be disposed of with household waste, according to the WEEE Directive (2012/19/EU) and your national law. This product should be taken to a collection center licensed for the recycling of waste electrical and electronic equipment (WEEE). The mishandling of this type of waste could have a possible negative impact on the environment and human health due to potentially hazardous substances that are generally associated with WEEE. At the same time, your cooperation in the correct disposal of this product will contribute to the efficient use of natural resources. For more information about where you can take your waste equipment for recycling, please contact your local city office, or your household waste collection service.

**18.** Do not install in a confined space, such as a book case or similar unit.

**19.** Do not place naked flame sources, such as lighted candles, on the apparatus.

**20.** Please keep the environmental aspects of battery disposal in mind. Batteries must be disposed of at a battery collection point.

**21.** This apparatus may be used in tropical and moderate climates up to 35°C.



## 22. Warning

Do not ingest battery.  
Chemical Burn Hazard

This product contains a coin/button cell battery. If the coin/button cell battery is swallowed or placed inside any part of the body, it can cause severe or fatal internal burns injuries in just 2 hours or less and can lead to death.

Keep new and used batteries away from children. If the battery compartment does not close securely, stop using the product and keep it away from children.

If you think batteries might have been swallowed or placed inside any part of the body, seek immediate medical attention.

Replacement of a battery with an incorrect type can defeat a safeguard. Replace only with the same or equivalent type.

Risk of fire or explosion if the battery is replaced by an incorrect type.

Disposal of a battery into fire or a hot oven, or mechanically crushing or cutting of a battery, can result in an explosion.

Leaving a battery in an extremely high temperature surrounding environment can result in an explosion or the leakage of flammable liquid or gas.

A battery subjected to extremely low air pressure may result in an explosion or the leakage of flammable liquid or gas.

Attention should be drawn to the environmental aspects of battery disposal.



## 23. Warning

Batteries (battery pack or batteries installed) shall not be exposed to excessive heat such as sunshine, fire or the like.

## LEGAL DISCLAIMER

Music Tribe accepts no liability for any loss which may be suffered by any person who relies either wholly or in part upon any description, photograph, or statement contained herein. Technical specifications, appearances and other information are subject to change without notice. All trademarks are the property of their respective owners. Midas, Klark Teknik, Lab Gruppen, Lake, Tannoy, Turbosound, TC Electronic, TC Helicon, Behringer, Bugera, Aston Microphones, and Coolaudio are trademarks or registered trademarks of Music Tribe Global Brands Ltd. © Music Tribe Global Brands Ltd. 2023 All rights reserved.

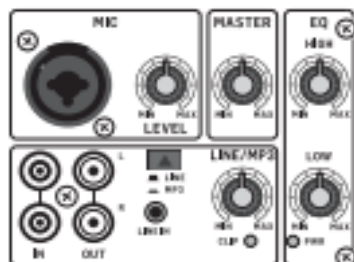
## LIMITED WARRANTY

For the applicable warranty terms and conditions and additional information regarding Music Tribe's Limited Warranty, please see complete details online at [community.musictribe.com/pages/support#warranty](https://community.musictribe.com/pages/support#warranty).

# PK108A/PK110A Getting started

## EN Getting started

- 1 Place the speaker in your desired location.
- 2 Set all controls as shown: HIGH and LOW EQ knobs to their centered position at 12 o'clock; LEVEL, LINE/MP3 and MASTER knobs set to their minimum levels at the full counter-clockwise position.



- 3 Make all necessary connections. **DO NOT turn on the power yet.**
- 4 Turn on your audio sources (mixer, microphones, instruments).
- 5 Turn on your speaker(s) by pressing the POWER switch. The PWR LED will light up.
- 6 Insert your USB device or SD/MMC flash memory card with digital audio files into their respective USB or SD/MMC connections.
- 7 Using the controls in the MP3 PLAYER section, choose a digital audio file from your USB stick or SD/MMC card and begin playback by pressing the PLAY/PAUSE button.
- 8 Turn the LINE/MP3 control up to around the 50% position.
- 9 Turn the MASTER knob clockwise until you find a comfortable volume level.
- 10 For devices connected to the MIC combo jack, play your analog audio source or speak into your microphone at a normal-to-loud level while adjusting the LEVEL knob. If the sound distorts, lower the LEVEL knob until the sound cleans up.
- 11 To use the stereo LINE IN jack, first press the MP3/LINE button so that the button is in the extended, outward position.
- 12 Begin audio playback on the device connected to the LINE IN jack and set the output volume on the audio device to approximately 50%.

- 13 Rotate the LINE/MP3 knob to adjust the volume level for the LINE IN jack.
- 14 For devices connected to the stereo AUX IN jacks, first set the device's output level to approximately 50%, and then begin playback.

**NOTE:** Because the LINE IN jacks and MP3 player connection share the same LINE/MP3 level knob, you may need to adjust the volume output directly on your external audio devices to achieve your desired sound balance.

- 15 Make final volume adjustments using the MASTER knob.
- 16 If necessary, adjust the HIGH and LOW EQ knobs to boost or cut treble and bass frequencies to your taste.

### Using extension speaker cabinets

- 1 Make sure the unit is powered down with the MASTER knob set to the minimum setting at full counter-clockwise.
- 2 Run a speaker cable with professional twist-locking connectors from the EXTENSION OUTPUT jack to the speaker cabinet's input. The twist-locking connector will snap securely into place to prevent accidental disconnection.
- 3 Slowly turn the MASTER knob clockwise while playing back audio until you reach the desired volume level.

**⚠ Make sure the total impedance of the extension cabinet(s) is a minimum of 8 Ω.**

### Bluetooth pairing

To connect PK108A/PK110A to your Bluetooth device for audio streaming, use the following procedure:

- 1 Press the MODE button to select Bluetooth (bt) mode and activate the Bluetooth pairing process.
- 2 Enable Bluetooth on your Bluetooth audio device.
- 3 Check that your Bluetooth device is searching for a connection.
- 4 Once your device detects your speaker, select PK108A/PK110A from your Bluetooth device's menu.
- 5 Wait until your Bluetooth device shows an active connection.
- 6 Set the output volume on your Bluetooth device to approximately 50%.

- 7 Begin audio playback on your Bluetooth device.
- 8 Use the LINE/MP3 knob to balance the Bluetooth volume with other audio, if necessary.
- 9 Adjust the MASTER knob to set the desired final volume.

### Bluetooth fast-link pairing between PK108A/PK110A speakers

To connect one additional PK108A/PK110A speaker and create a stereo pair via the fast-link Bluetooth feature, follow these steps:

- 1 Place your PK108A/PK110A speakers in close proximity (within 10 meters) to each other. **Make sure no audio is playing back on either speaker.**
- 2 Choose one speaker to serve as the Master speaker and another to serve as the Slave speaker.
- 3 Set the MASTER knob on both speakers to about the 50% position.
- 4 On the Slave speaker, make sure the LINE/MP3 button is set to the inward MP3 position.
- 5 Set the LINE/MP3 knob on the Slave speaker to the MIN position.
- 6 On your Master speaker, press the MODE button to select BLUETOOTH (bt) mode.
- 7 Press the LINKING button on the Master speaker.
- 8 On the Slave speaker, also press the MODE button to select BLUETOOTH (bt) mode.
- 9 Press the LINKING button on the Slave speaker.
- 10 When Bluetooth pairing is underway, each speaker's LED DISPLAY will show "bt:bt".
- 11 When pairing is complete, each speaker's LED DISPLAY will show "bt".
- 12 Begin audio playback on the Master speaker. The Digital Media Player will automatically separate left and right stereo channels.
- 13 On the Slave speaker, slowly turn the LINE/MP3 knob clockwise until you have a good beginning volume balance between both speakers.
- 14 Use the MASTER knobs on each speaker to make final volume adjustments.

# EN Specifications

ES

	PK108A	PK110A
<b>Amplifier</b>		
Max output power	240 W*	320 W*
Type	Class-AB	
<b>Loudspeaker System Data</b>		
Woofers	8" (210 mm) LF driver	10" (255 mm) LF driver
Tweeter	1" (25.5 mm) HF compression driver	
Frequency response	20 Hz to 20 kHz (-10 dB)	
Sound pressure level (SPL)	Max. 90 dB	
<b>Audio Connections</b>		
<b>MP3 Playback</b>		
File system	USB / SD / TF	
Format	FAT 16, FAT 32	
Bit rates	MP3 / WMA / WAV / FLAC / APE	
Sample rates	32 – 800 kbps	
Input	44.1 kHz	
Input impedance	1 x XLR / ¼" TRS combo jack	
Line in	20 kΩ balanced	
Input impedance	1 x ½" (3.5 mm) TRS, stereo	
Aux in	15 kΩ	
Input impedance	2 x RCA	
Aux out	15 kΩ, unbalanced	
Output impedance	2 x RCA	
SD card slot	100 kΩ, unbalanced	
Card memory	Up to 32 GB supported	
<b>Bluetooth**</b>		
Frequency range	2402 MHz ~ 2480 MHz	
Channel number	79	
Version	Bluetooth spec 5.0 compliant	
Compatibility	Supports A2DP 1.2 profile	
Max. communication range	10 m (without interference)	
Max. output power	10 dBm	
<b>Equalizer</b>		
High	±12 dB @ 10 kHz, shelving	
Low	±12 dB @ 100 Hz, shelving	
<b>Power Supply, Voltage (Fuses)</b>		
USA / Canada	120 V~, 60 Hz (F 2 A L 250 V)	
UK / Australia / Europe	220-240 V~, 50/60 Hz (F 1 A L 250 V)	
Korea / China	220-240 V~, 50 Hz (F 1 A L 250 V)	
Japan	100 V~, 50/60 Hz (F 2 A L 250 V)	
Power consumption	90 W	
Mains connection	Standard IEC receptacle	
<b>Dimension / Weight</b>		
Dimensions (H x W x D)	435 x 295 x 245 mm (17.13 x 11.61 x 9.65")	545 x 355 x 295 mm (21.46 x 13.97 x 11.61")
Weight	6.8 kg (14.9 lbs)	8.9 kg (19.6 lbs)

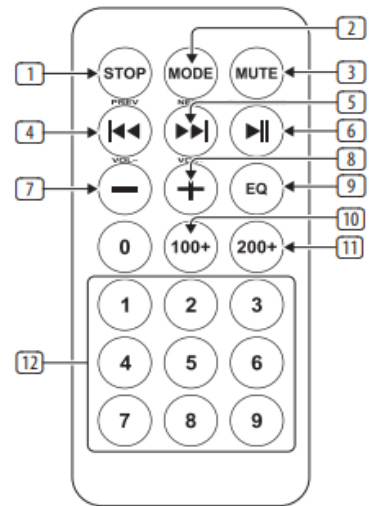
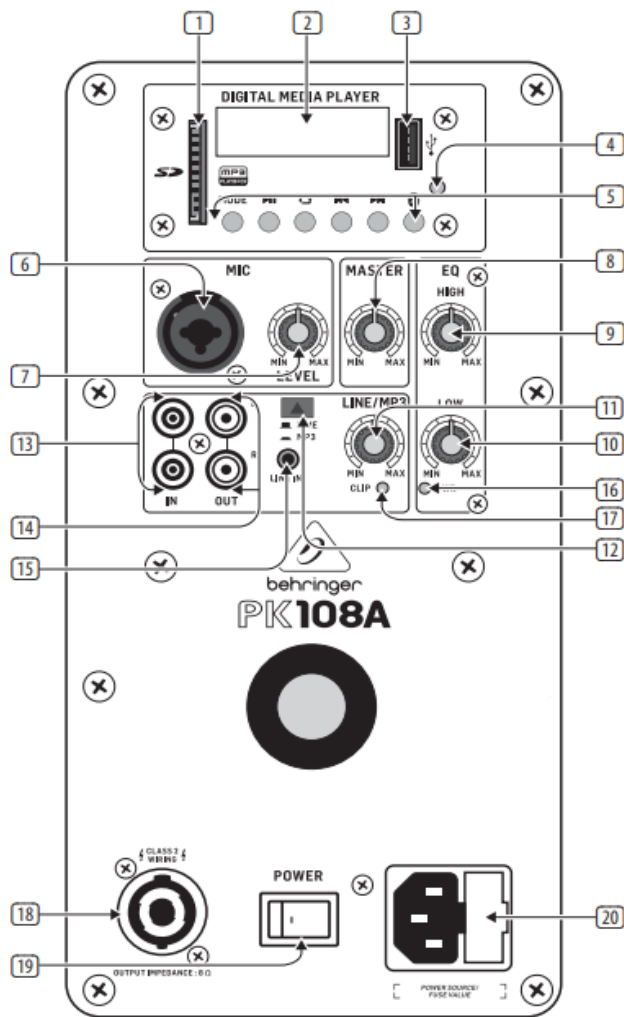
\*Independent of limiters and driver protection circuits

\*\*The Bluetooth® word mark and logos are registered trademarks of Bluetooth SIG, Inc. and any use of such marks by Behringer is under license

**1. Register online.** Please register your new Music Tribe equipment right after you purchase it by visiting [musictribe.com](http://musictribe.com). Registering your purchase using our simple online form helps us to process your repair claims more quickly and efficiently. Also, read the terms and conditions of our warranty, if applicable.

**2. Malfunction.** Should your Music Tribe Authorized Reseller not be located in your vicinity, you may contact the Music Tribe Authorized Fulfiller for your country listed under "Support" at [musictribe.com](http://musictribe.com). Should your country not be listed, please check if your problem can be dealt with by our "Online Support" which may also be found under "Support" at [musictribe.com](http://musictribe.com). Alternatively, please submit an online warranty claim at [musictribe.com](http://musictribe.com) BEFORE returning the product.

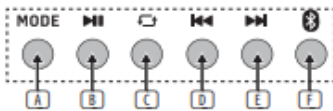
**3. Power Connections.** Before plugging the unit into a power socket, please make sure you are using the correct mains voltage for your particular model. Faulty fuses must be replaced with fuses of the same type and rating without exception.






## EN Controls

- 1 **SD/MMC** slot allows you to play back digital audio files stored on SD (Secure Digital) or MMC (MultiMedia Card) flash memory cards.
- 2 **LED DISPLAY** shows the current file and playback settings.
- 3 **USB** input allows you to play back audio files stored on a USB stick.
- 4 **INFRARED RECEIVER** connects to the remote control.
- 5 **PLAYBACK SECTION** for USB and SD/MMC offers the following playback controls:



- A. **MODE:** Press to choose between the USB jack or SD/MMC/BLUETOOTH as the source for MP3 playback.
  - B. **PLAY/PAUSE:** Press to play, pause or search.
  - C. **REPEAT:** Press to select between One, Random, Folder or All repeat modes.
  - D. **BACK:** Press once to move to the previous song or folder.
  - E. **FORWARD:** Press once to move to the next song or folder.
  - F. **LINKING:** Press this button to fast-link another PK108A or PK110A via Bluetooth (see "Getting Started").
- 6 **MIC** combo jack accepts audio signals from devices using cables using XLR, balanced ¼" TRS or unbalanced ¼" TS connectors.

- 7 **LEVEL** knob controls the input level for the MIC combo jack.
- 8 **MASTER** level control adjusts the final speaker volume.
- 9 **TREBLE** knob adjusts the level of treble frequencies for the speaker unit.
- 10 **BASS** knob adjusts the level of bass frequencies for the speaker unit.
- 11 **LINE/MP3** knob controls the volume level for the LINE IN signal and the MP3 signal.
- 12 **MP3/LINE** switch toggles between the MP3 player or LINE IN audio sources.
- 13 **AUX IN** connections accept unbalanced stereo signals from external devices using audio cables with RCA connectors.
- 14 **AUX OUT** connections sends out an unbalanced stereo signal to external devices using audio cables with RCA connectors.
- 15 **LINE IN** jack accepts audio from external devices (MP3 players, smartphones, tablets and so on) using cables with ¼" stereo connectors.
- 16 **PWR LED** lights up when the audio system is connected to power and switched on.
- 17 **CLIP LED** lights up to indicate the internal limiter is responding to signal peaks.
- 18 **EXTENSION OUTPUT** allows you to connect and drive an additional speaker cabinet (min. 8 Ω total load) using speaker cables with professional twist-locking connectors.
- 19 **POWER** switch turns the unit on and off.

 Before turning on the audio system, all level controls must be set to minimum. Once the system is turned on, slowly increase input levels to help prevent damage to the speaker and amplifier.

- 20 **AC INPUT** socket accepts the included IEC power cable.

### Remote Control

- 1 **STOP** button turns the Digital Media Player on and off.
- 2 **MODE** button switches between USB and SD/MMC/Bluetooth as the source for playback.
- 3 **MUTE** button mutes the sound.
- 4 **BACK** button skips back to the previous track.
- 5 **FORWARD** button skips ahead to the next track.
- 6 **PLAY/PAUSE** button starts and stops playback of audio files.
- 7 **VOL-** button decreases the volume when pressed.
- 8 **VOL+** button increases the volume when pressed.
- 9 **EQ** button activates the EQ function and chooses between EQ presets: Normal (NOR), Pop (POP), Rock (ROC), Jazz (JAZ), Classical (CLA) and Country (CUN). On PK108A/PK110A, the EQ function is only accessible through the remote control.
- 10 **100+** button jumps ahead by 100 tracks.
- 11 **200+** button jumps ahead by 200 tracks.
- 12 **NUMERIC KEYPAD** allows you to enter values for various functions.